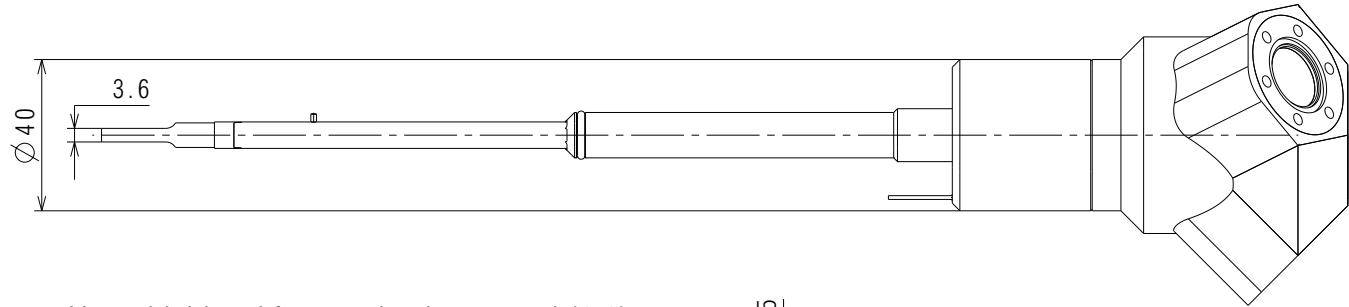
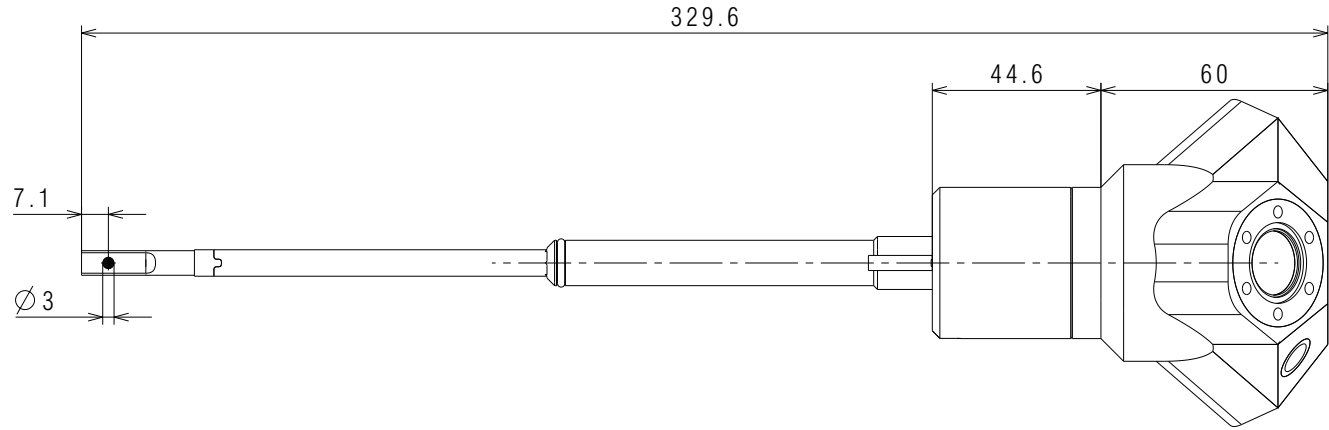
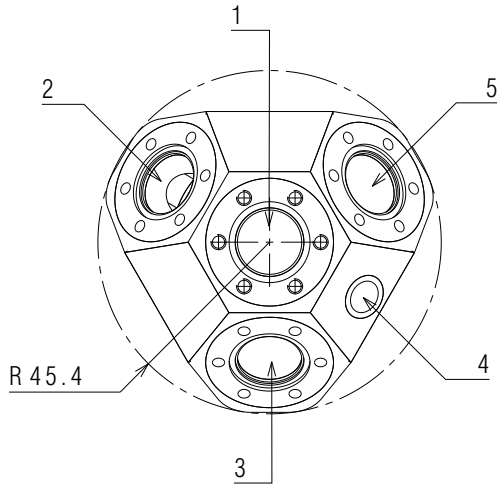
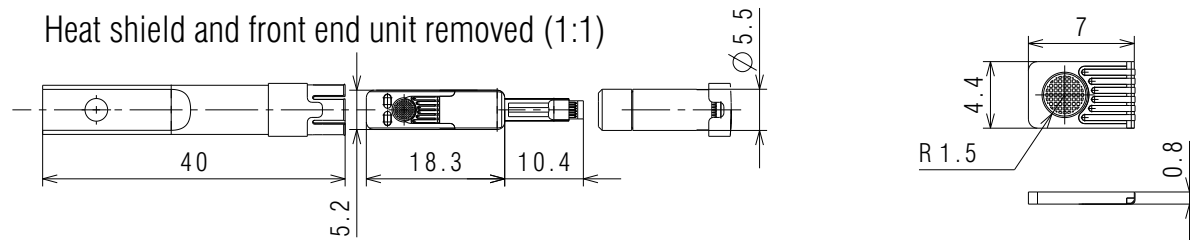


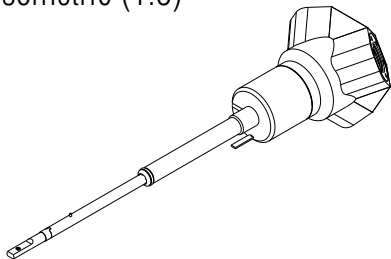
Port (DN16CF)	Usage
1	Transferline
2	Electrical feedthrough
3	Helium recovery
4	Security valve
5	Spare port



Heat shield and front end unit removed (1:1)



Isometric (1:5)



Material UHV compatible	Project GLADIUS	Scale 1:2 (2:1) (1:5)
condenZero GmbH c/o Physics Institute University of Zurich Winterthurerstrasse 190 8057 Zürich	Drawn by Dominik Biscette	
	E-Mail dbiscette@condenzero.com	
	Tel direct 044 635 57 80	
	Date 20.01.2021	
Rev .....	Description Liquid helium TEM holder	Page 1/1
Part number GLADIUS-G3		

